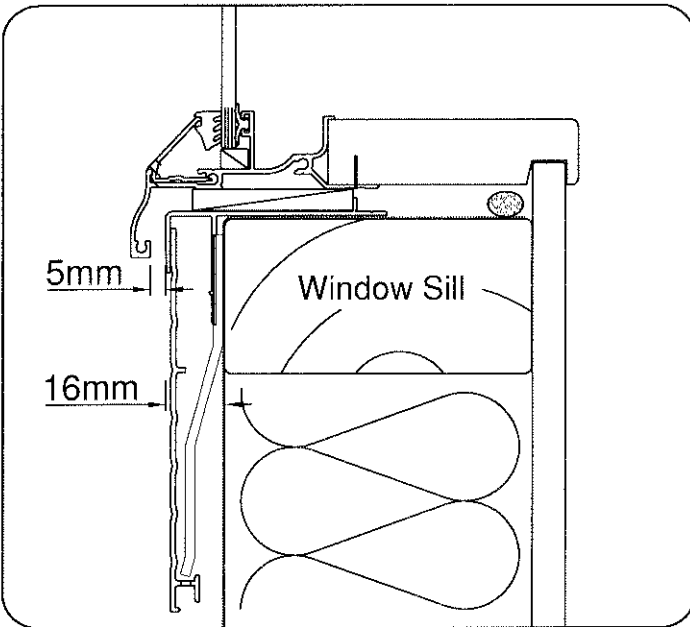


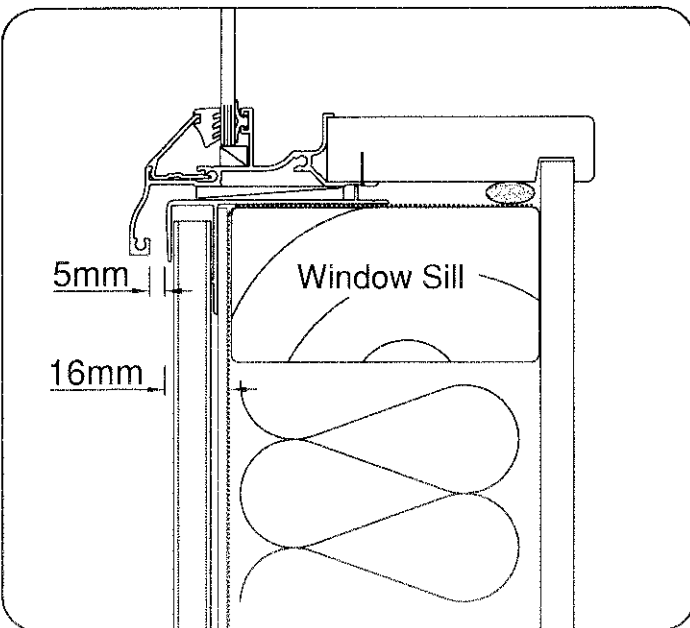
Horizontal Installation over cavity per BRANZ Appraisal #550.

Allow total of 16mm for Nu-Wall system.



Direct-fixed Horizontal Installation per BRANZ Appraisal #557.

Allow total of 21mm for Nu-Wall system; includes 5mm ventilation gap.



Direct-fixed Vertical Installation per BRANZ Appraisal #556.

Allow total of 21mm for Nu-Wall system; includes 5mm ventilation gap.